



Argus
Sensor Barriers
Sensor gates

Elegant Argus Sensor Barriers and Sensor Gates

Easy to use
Inviting
Unique

Two product lines

The units in the Argus product range consist of a sensor-controlled passage with automatic door elements in various versions. They provide for convenient contactless passage, even with bags or luggage. There are two product lines available, depending on how the door wings open.

Slender Argus HSB (Half-height sensor barriers)

Tried-and-tested HSB sensor barriers are equipped with door leaves and can be individually customised thanks to the wide range of materials and finishes. You can

choose between a stainless steel housing or transparent side walls – matching the design of the entrance area. Moreover the sensor barriers are available in three different lengths – depending on the sensor system used and the level of security desired.

Robust Argus HSG (Half-height sensor gates)

The HSG Sensor Gates are equipped with door leaves available in different heights. Further features include the premium sensor system and the solid stainless steel housing. During passage, the sliding panels move swiftly into the housing.



Advantages of Argus Sensor Barriers and Sensor Gates

The modular combination of personal safety, throughput rate and design enables entrances to be customised as required.

HSB Sensor Barriers

- comfortable passage, even with bags or luggage
- no contact with the door leaves
- high throughput rate along with high level of personal safety
- different security levels for diverse security demands
- versatile transparent designs
- modular system with basic and extension units for multi-passage installations
- door wings always open in direction of passage
- automatic sneak-by guard (note security level)
- acoustic alarm when used without authorisation
- child detection (note security level)
- special 900 mm width available – suitable for disabled users

HSG Sensor Gates

- comfortable passage, even with bags or luggage
- no contact with the door leaves
- high throughput rate along with high level of personal safety
- robust stainless steel body
- modular system with basic and extension units for multi-passage installations
- automatic sneak-by guard (note security level)
- acoustic alarm when used without authorisation
- child detection (note security level)



Additional versions with a larger passage width for sensor barriers or with automatic swing doors in matching design for sensor gates offer a good solution for disabled access.

The ideal solution for any entrance



Robust yet looks great in combination with glass



Sensor barriers stylishly integrated into timeless interiors

Sensor barriers with extension units



Display with green and red signals shows clearly if the way is barred or free



For convenient entry into:

- Office and administrative buildings
- Ministries and government buildings
- Banks and financial institutions
- Airports
- Industrial buildings
- Schools and universities

HSB Sensor Barriers

Throughput rate = up to 30 per minute
Security level = ●●●○○
Comfort = ●●●●●
Staff supervision = yes

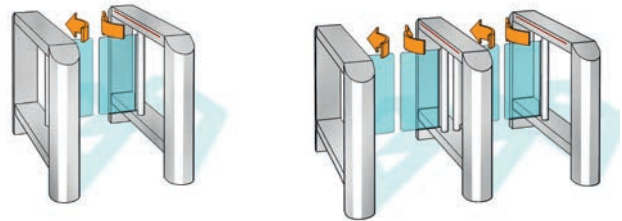
HSG Sensor Gates

Throughput rate = up to 30 per minute
Security level = ●●●○○
Comfort = ●●●●●
Staff supervision = yes





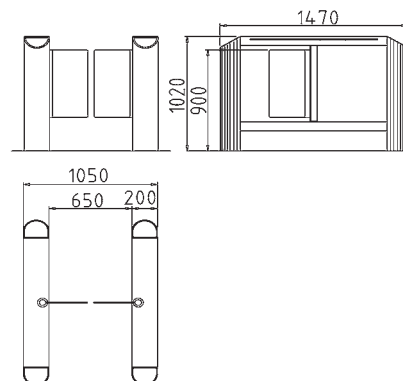
Argus Sensor Barriers



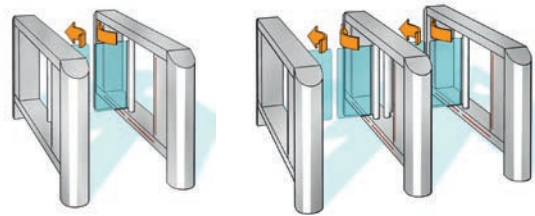
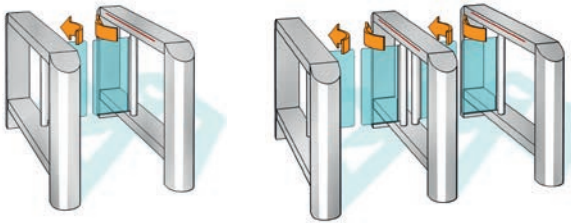
Standard units	
Construction	Interlock height
	Interlock length
	Passage width
	Total width
	Housing, base columns, guiding elements
	Barrier elements
Finish	
Function	
	Drives
Operating modes	
Electrical components	
	Power supply
	Standby power consumption
	Standard adjustment in event of power failure
Installation	
Protection classes	

HSB-E10	
	1020
	1470
	650
	1050
	AISI 304 stainless steel with satin finish.
	Two door leaves made of transparent polycarbonate, upper edge 900 mm.
	Swinging area monitored by separation sensors.
	Stainless steel satin finish.
	Type 2 *
	Integrated in the swing tube.
	Security level 0. Passage area monitored by simple sensor system with a short installation length (simple level of single passage monitoring in both directions).
	Closed.**
	Control system and power supply integrated in the unit.
	100 - 240 VAC, 50/60 Hz, 368 VA.
	17 VA.
	Door leaves move freely.
	Dowelled on finished floor level, FFL.
	Not suitable for outdoor installation.
	Housing IP43, components conducting supply voltage IP43.

- * Type 2: power-assisted motion; two servo-positioning drives/electrically controlled in both directions.
- ** Basic position **open** "day operation": the door leaves are closed automatically if authorisation is not granted for passage. Basic position **closed** "night-operation": the door leaves open automatically in the direction of passage and then close again if authorisation is granted.



All dimensions in mm

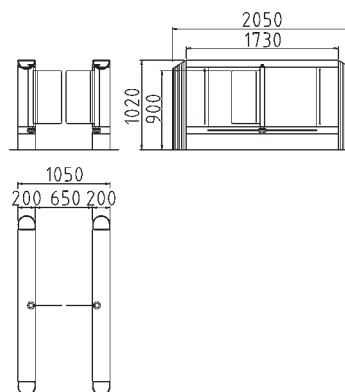
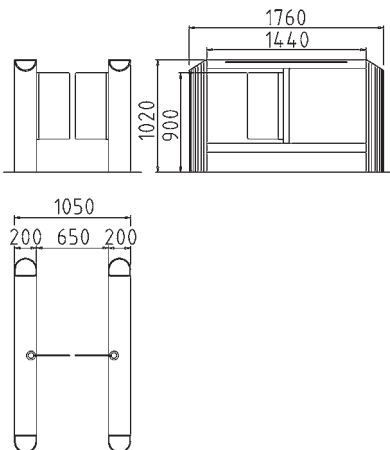


HSB-E02

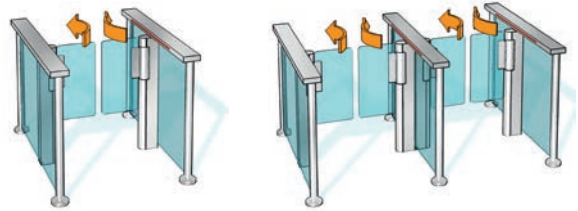
1020
1760
650
1050
AISI 304 stainless steel with satin finish.
Two door leaves made of transparent polycarbonate, upper edge 900 mm.
Swinging area monitored by separation sensors.
Stainless steel satin finish.
Type 2 *
Integrated in the swing tube.
Security level 1. Passage area monitored by basic sensor system with a compact installation length (basic level of single passage monitoring in both directions).
Open or closed.**
Control system and power supply integrated in the unit.
100 - 240 VAC, 50/60 Hz, 368 VA.
17 VA.
Door leaves move freely.
Dowelled on finished floor level, FFL.
Not suitable for outdoor installation.
Housing IP43, components conducting supply voltage IP43.

HSB-E04

1020
2050
650
1050
AISI 304 stainless steel with satin finish.
Two door leaves made of transparent polycarbonate, upper edge 900 mm.
Swinging area monitored by separation sensors.
Stainless steel satin finish.
Type 2 *
Integrated in the swing tube.
Security level 2. Passage area monitored by enhanced sensor system with an optimised installation length and arrangement (increased level of single passage monitoring in both directions). Integrated sneak-by guard, detection of children and trolley cases.
Open or closed.**
Control system and power supply integrated in the unit.
100 - 240 VAC, 50/60 Hz, 368 VA.
17 VA.
Door leaves move freely.
Dowelled on finished floor level, FFL.
Not suitable for outdoor installation.
Housing IP43, components conducting supply voltage IP43.



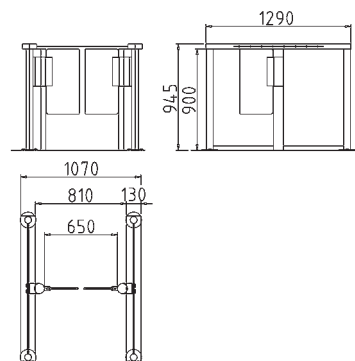
Argus Sensor Barriers



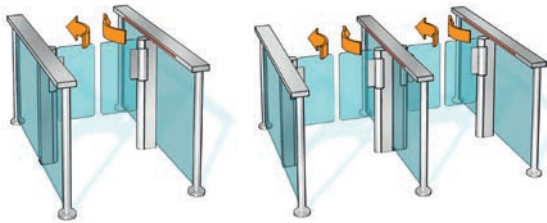
Standard units		HSB-E11
Construction	Interlock height	945
	Interlock length	1290
	Passage width	650
	Total width	1070
	Housing, base columns, guiding elements	AISI 304 Ø 60 mm stainless steel tube with 10 mm toughened safety glass panel and AISI 304 stainless steel handrail with integrated sensor system.
	Barrier elements	Two door leaves made of transparent polycarbonate, upper edge 900 mm.
Finish		Swinging area monitored by separation sensors.
Function		Stainless steel satin finish.
	Drives	Type 2 *
		Integrated in the swing tube.
		Security level 0.
		Passage area monitored by simple sensor system with a short installation length (simple level of single passage monitoring in both directions).
	Operating modes	Closed.**
Electrical components		Control system and power supply integrated in the unit.
	Power supply	100 - 240 VAC, 50/60 Hz, 368 VA.
	Standby power consumption	17 VA.
	Standard adjustment in event of power failure	Door leaves move freely.
Installation		Dowelled on finished floor level, FFL.
		Not suitable for outdoor installation.
Protection classes		Housing IP32, components conducting supply voltage IP42.

* Type 2: power-assisted motion; two servo-positioning drives/electrically controlled in both directions.

** Basic position **open** "day operation": the door leaves are closed automatically if authorisation is not granted for passage. Basic position **closed** "night-operation": the door leaves open automatically in the direction of passage and then close again if authorisation is granted.

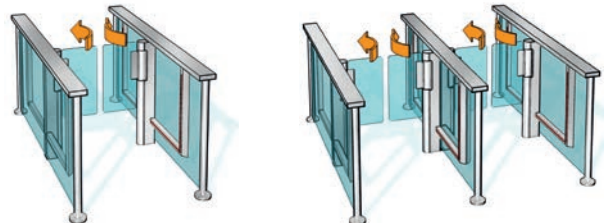
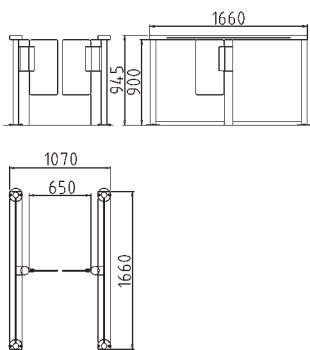


All dimensions in mm



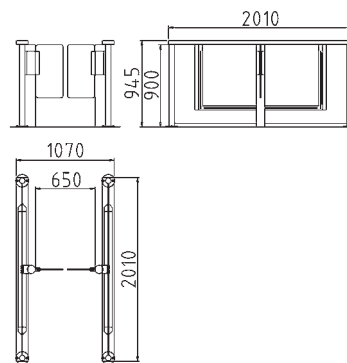
HSB-E07

945
1660
650
1070
AISI 304 Ø 60 mm stainless steel tube with 10 mm toughened safety glass panel and AISI 304 stainless steel handrail with integrated sensor system.
Two door leaves made of transparent polycarbonate, upper edge 900 mm.
Swinging area monitored by separation sensors.
Stainless steel satin finish.
Type 2 *
Integrated in the swing tube.
Security level 1. Passage area monitored by basic sensor system with a compact installation length (basic level of single passage monitoring in both directions).
Open or closed.**
Control system and power supply integrated in the unit.
100 - 240 VAC, 50/60 Hz, 368 VA.
17 VA.
Door leaves move freely.
Dowelled on finished floor level, FFL.
Not suitable for outdoor installation.
Housing IP32, components conducting supply voltage IP42.

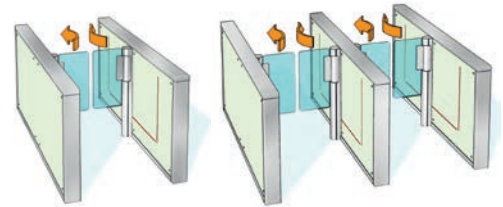
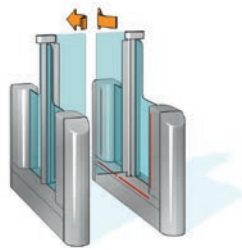


HSB-E08

945
2010
650
1070
AISI 304 Ø 60 mm stainless steel tube with 10 mm toughened safety glass panel and AISI 304 stainless steel handrail as well as horizontal and vertical sensors mounted on the guiding elements.
Two door leaves made of transparent polycarbonate, upper edge 900 mm.
Swinging area monitored by separation sensors.
Stainless steel satin finish.
Type 2 *
Integrated in the swing tube.
Security level 2. Passage area monitored by enhanced sensor system with an optimised installation length and arrangement (increased level of single passage monitoring in both directions). Integrated sneak-by guard, detection of children and trolley cases.
Open or closed.**
Control system and power supply integrated in the unit.
100 - 240 VAC, 50/60 Hz, 368 VA.
17 VA.
Door leaves move freely.
Dowelled on finished floor level, FFL.
Not suitable for outdoor installation.
Housing IP32, components conducting supply voltage IP42.



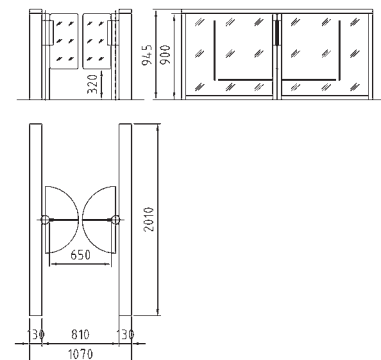
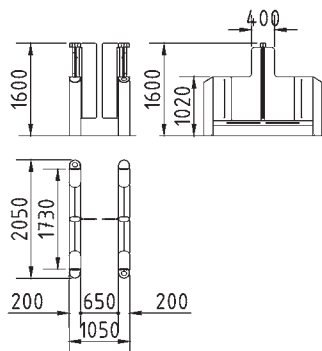
Argus Sensor Barriers



Standard units	HSB-E12	HSB-S05
Construction		
Interlock height	1600	945
Interlock length	2050	2010
Passage width	650	650
Total width	1050	1070
Housing, base columns, guiding elements	AISI 304 stainless steel with satin finish.	Rectangular AISI 304 stainless steel posts with 8 mm satin-finished toughened safety glass panel and AISI 304 stainless steel handrail as well as horizontal and vertical sensors integrated in the guiding elements.
Barrier elements	Two door leaves made of transparent polycarbonate, upper edge 1600 mm. Swinging area monitored by separation sensors.	Two door leaves made of transparent polycarbonate, upper edge 900 mm. Swinging area monitored by separation sensors.
Finish	Stainless steel satin finish.	Stainless steel satin finish.
Function	Type 2 *	Type 2 *
Drives	Integrated in the swing tube. Security level 2. Passage area monitored by enhanced sensor system with an optimised installation length and arrangement (increased level of single passage monitoring in both directions). Integrated sneak-by guard, detection of children and trolley cases.	Integrated in the swing tube. Security level 2. Passage area monitored by enhanced sensor system with an optimised installation length and arrangement (increased level of single passage monitoring in both directions). Integrated sneak-by guard, detection of children and trolley cases.
Operating modes	Open or closed.**	Open or closed.**
Electrical components	Control system and power supply integrated in the unit.	Control system and power supply integrated in the unit.
Power supply	100 - 240 VAC, 50/60 Hz, 368 VA.	100 - 240 VAC, 50/60 Hz, 368 VA.
Standby power consumption	17 VA.	17 VA.
Standard adjustment in event of power failure	Door leaves move freely.	Door leaves move freely.
Installation	Dowelled on finished floor level, FFL. Not suitable for outdoor installation.	Dowelled on finished floor level, FFL. Not suitable for outdoor installation.
Protection classes	Housing IP43, components conducting supply voltage IP43.	Housing IP32, components conducting supply voltage IP42.

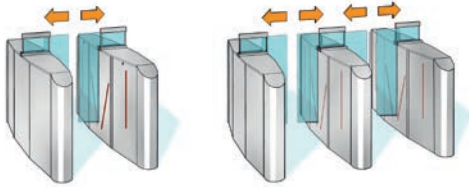
* Type 2: power-assisted motion; two servo-positioning drives/electrically controlled in both directions.

** Basic position open "day operation": the door leaves are closed automatically if authorisation is not granted for passage.
Basic position closed "night operation": the door leaves open automatically in the direction of passage and then close again if authorisation is granted.



All dimensions in mm

Argus Sensor Gates



HSG-E01

1020
2050
600
1240

AISI 304 stainless steel with satin finish.

Two barrier elements made of toughened safety glass, upper edge 1200 mm (max. 1800 mm, see options).

Movement area monitored by a light grid.

Stainless steel satin finish.

Type 2 *

Integrated in housing.

Security level 2.

Passage area monitored by enhanced sensor system with an optimised installation length and arrangement (increased level of single passage monitoring in both directions). Integrated sneak-by guard, detection of children and trolley cases.

Open or closed.**

Control system and power supply integrated in the unit.

100 - 240 VAC, 50/60 Hz, 299 VA.

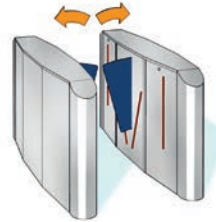
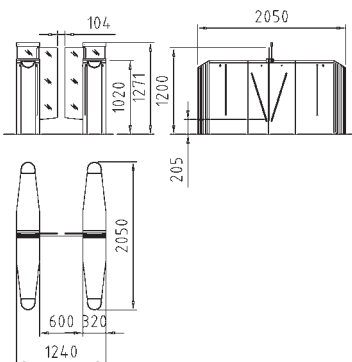
17 VA.

Door leaves open.

Dowelled on finished floor level, FFL.

Not suitable for outdoor installation.

Housing IP32, components conducting supply voltage IP42.



HSG-L01

1020
2050
600
1240

AISI 304 stainless steel with satin finish.

Made of 22 mm polyurethane foam.

Stainless steel satin finish.

Type 2 *

Arched, power-assisted motion of both door leaves into the housing.

Enhanced monitoring of single-file access in both directions. Monitoring of the movement area of the barrier elements by light grids.

Open or closed.**

Control system and power supply integrated in the unit.

100 - 240 VAC, 50/60 Hz, 299 VA.

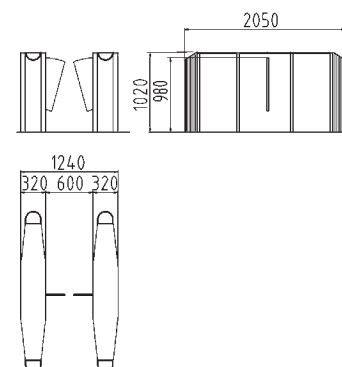
20 VA.

Door leaves open.

Dowelled on finished floor level, FFL.

Not suitable for outdoor installation.

Housing IP32, components conducting supply voltage IP42.

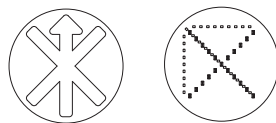


Options (depending on unit type)

	HSB-E10	HSB-E02	HSB-E04	HSB-E11	HSB-E07	HSB-E08	HSB-E12	HSB-S05	HSG-E01	HSG-L01
Construction										
Cover plate made of wood.			•			•				
Passage width increased to 900 mm for disabled users and transit of goods.	•	•	•	•	•	•	•	•	•	•
Angular base columns.				•	•	•			•	•
AISI 304 back wall.	•	•	•							
AISI 304 closed base.	•	•	•					•		
Door leaf extends to a height of 1200 mm instead of 900 mm.						•		•		
Door leaf extends to a height of 1800 mm instead of 1200 mm.									•	
Door leaf extends to a height of 1800 mm instead of 1600 mm.							•			
Function										
Emergency and escape route modules with emergency push button, additional emergency push button available.	•	•	•	•	•	•	•	•		
Electrical equipment										
Installation preparation on flat surface for on-site components or using mounting plate for surface installation.	•	•	•	•	•	•	•	•	•	•
Plastic cover plates instead of stainless steel plate for installation of antennas provided by customer.	•	•	•				•		•	•
Push button for manual single release.	•	•	•	•	•	•	•	•	•	•
Operating panel and frame or surface mount housing.	•	•	•	•	•	•	•	•	•	•
Additional circuit boards for expanding existing inputs and outputs.	•	•	•	•	•	•	•	•	•	•
Various signal devices.	•	•	•	•	•	•	•	•	•	•
Installation										
Pallet with stainless steel ramp and norament rubber covering, height approx. 80 mm.									•	•
Pallet with stainless steel ramp and norament rubber covering, height approx. 32 mm.	•	•	•	•	•	•	•	•		
On adjustable mounting plate X = 80 - 180 mm for sub floor level.	•	•	•	•	•	•	•	•		
With cast-in clamping elements and cover rosettes for sub floor level.				•	•	•				



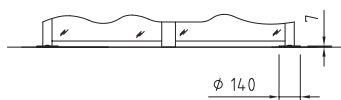
OPL 05 operating panel.



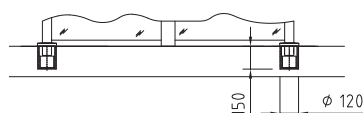
Signal device LED arrow-cross (installed in the housing or in the cover plate of both sides)



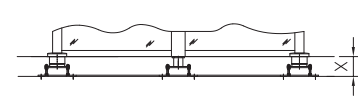
Console 1 with plastic adapter in RAL 9006, W/H/D 94/94/65 mm with Ø 65 mm cut-out, fixed to lateral barrier.



Installation HSB-E07, -E08, -E11 dowelled on finished floor level FFL



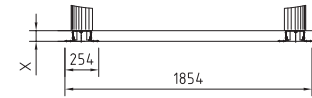
Cast-in with clamping elements



on sub floor level SFL with mounting plates



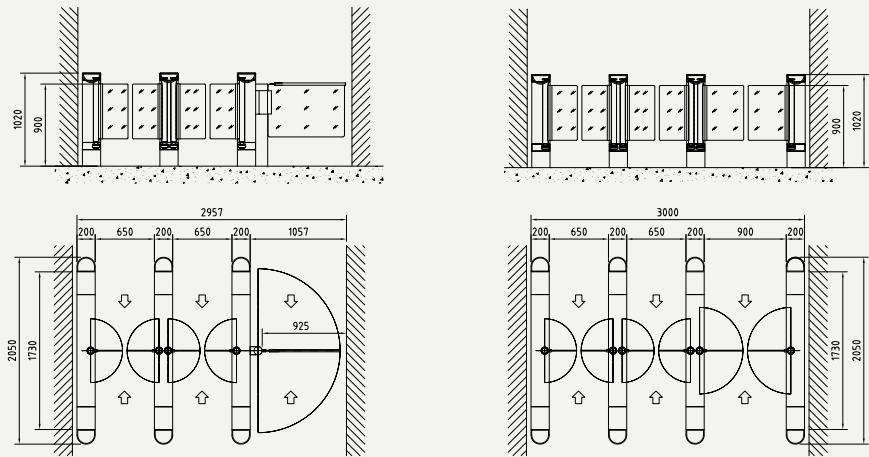
Installation HSB-E02, -E04, -E10, -E12 dowelled on finished floor level FFL



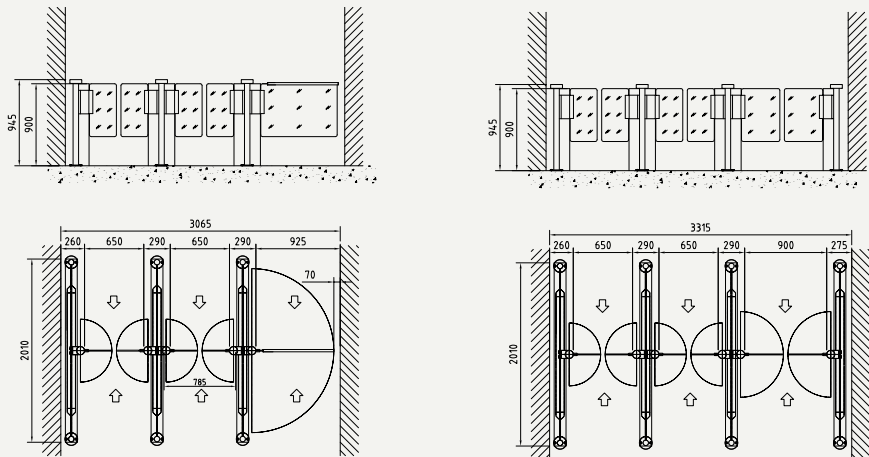
on sub floor level SFL with mounting plates

Installation diagrams

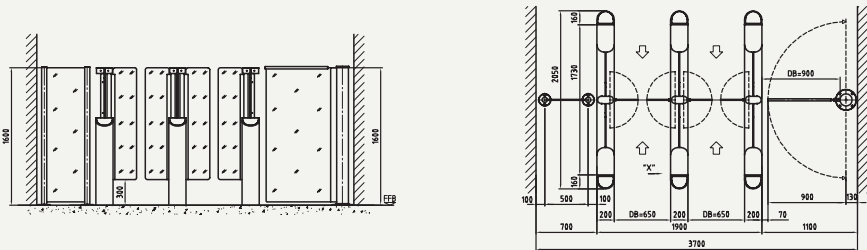
HSB-E04 examples



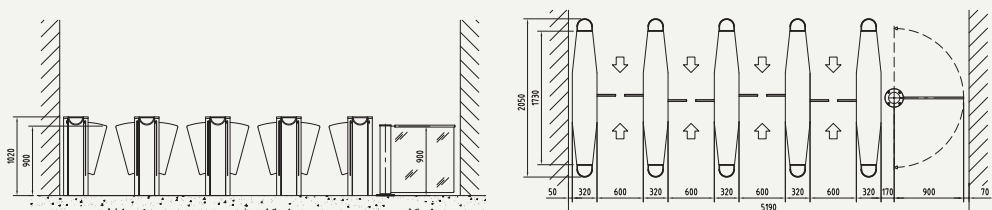
HSB-E08 examples



HSB-E12 examples



HSG-L01 examples





www.dormakaba.com

dormakaba Deutschland GmbH
DORMA Platz 1
58256 Ennepetal
Germany
T: +49 2333 793-0
F: +49 2333 793-4950

subject to modifications · 31684EN 01 · 2017